

# Notes

1. All dimensions are to be checked on site. Any discrepancy in dimensions is to be reported to the architect before any work commences. The Architect's drawings and specifications over rule any other. The Structural Engineers detail drawings.
2. All construction work to comply with the international standards codes protection.
3. The PV denotes permanent ventilation and must be provided above all doors and windows where indicated.
4. All walls less than 200mm thick are to be reinforced with hoop iron sheet every alternate course.
5. All reinforced concrete works to be done according to structural detail drawings.

No:	Date:	Description:
Revision		

Implemented by:



Client:



THE FEDERAL REPUBLIC OF SOMALIA

THE PROPOSED CONSTRUCTION FOR TWIN LATRINES UNDER SETS II.

Drawing Title: **Twin Latrines**

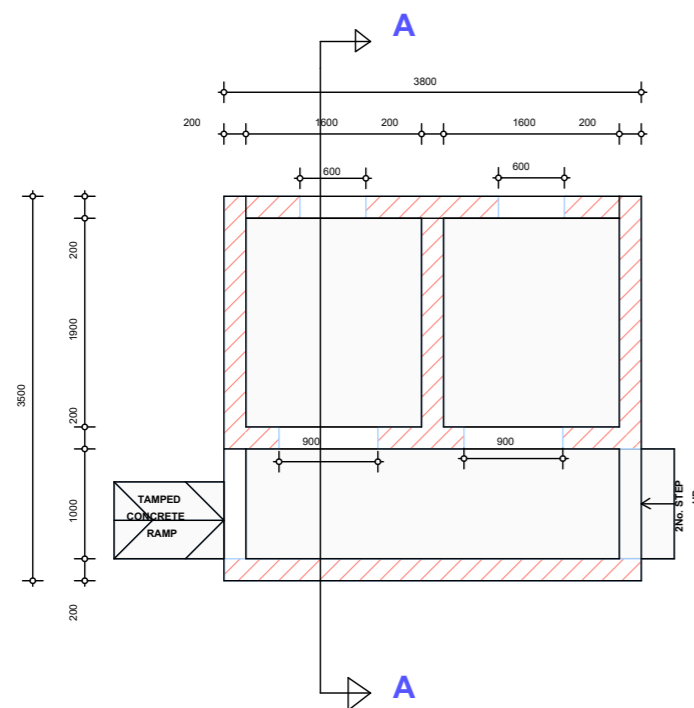
SCALE: AS SHOWN

DATE: June -2023

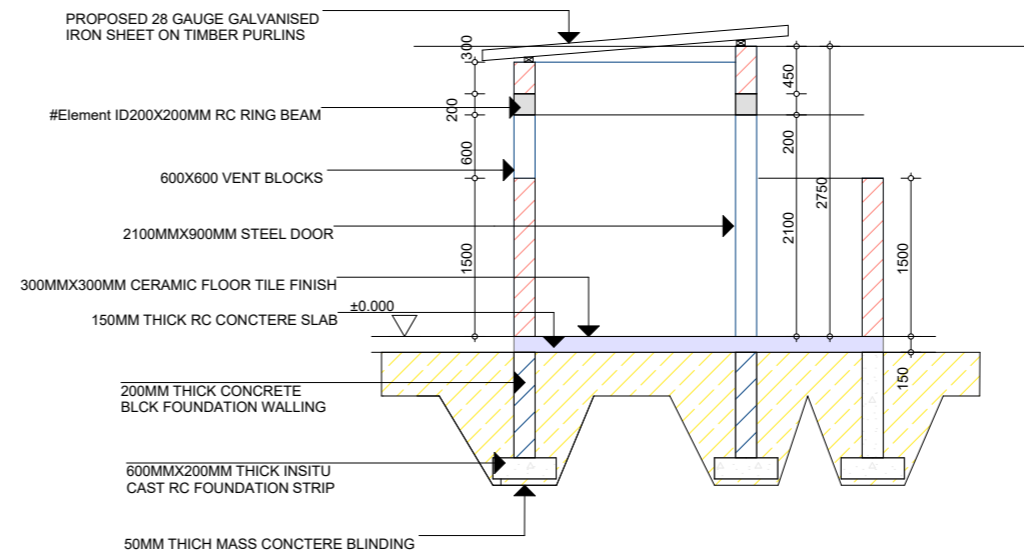
DRAWN BY: M.D

RECIEVED BY:

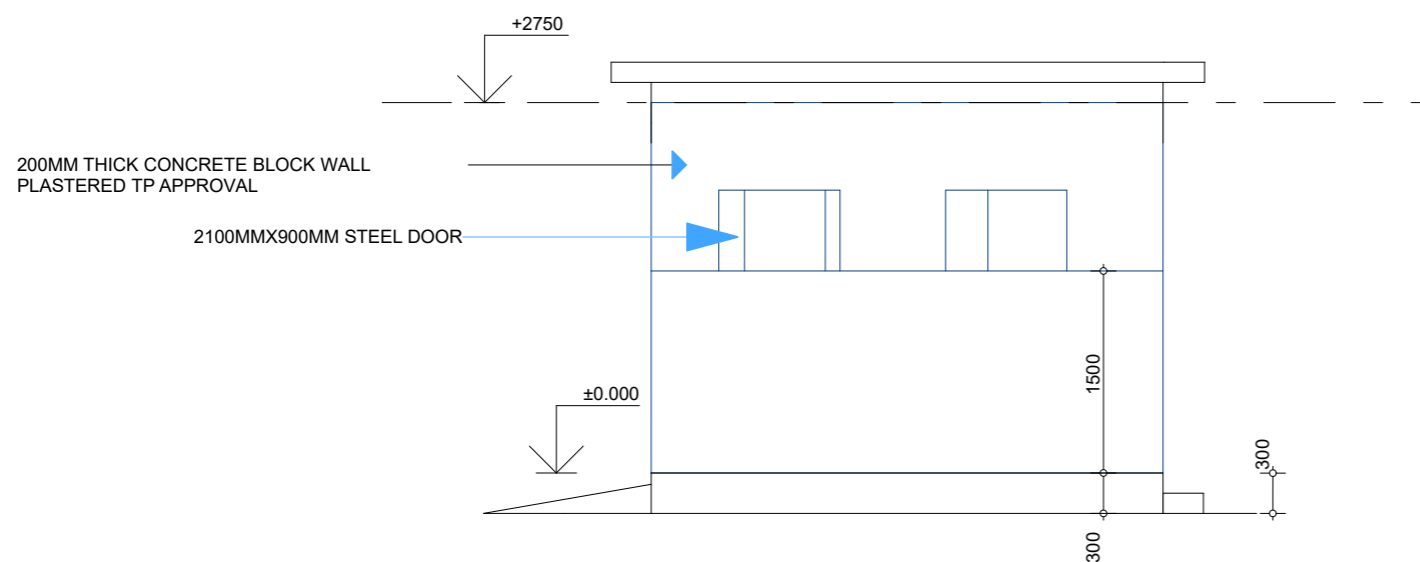
SHEET NO: 00/00



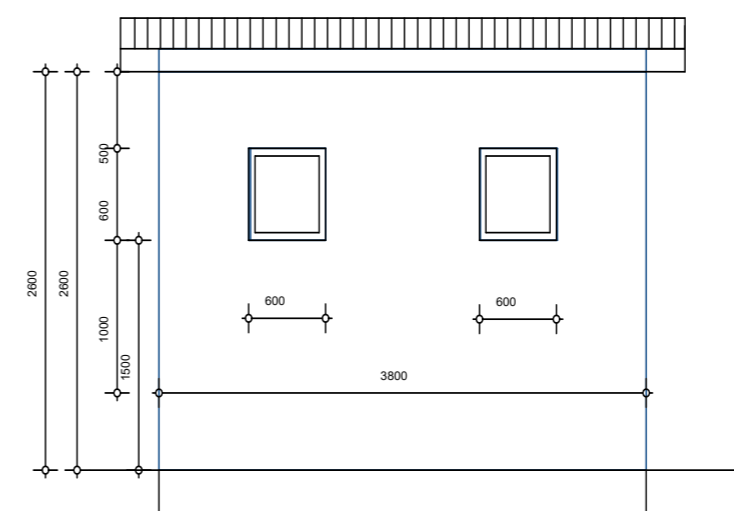
Washroom layout



Section



Front Elevation



Back Elevation